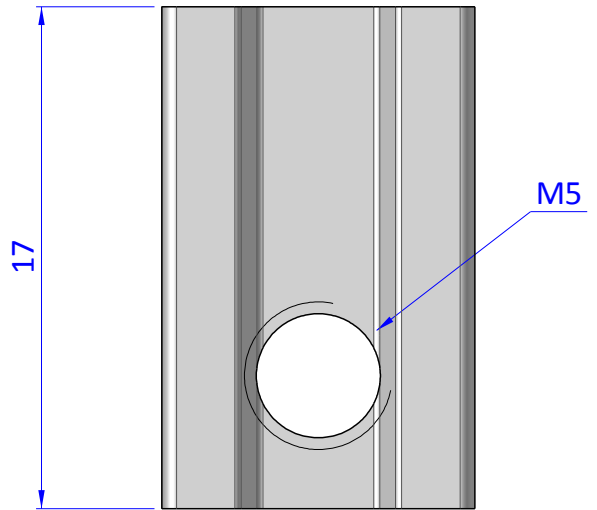
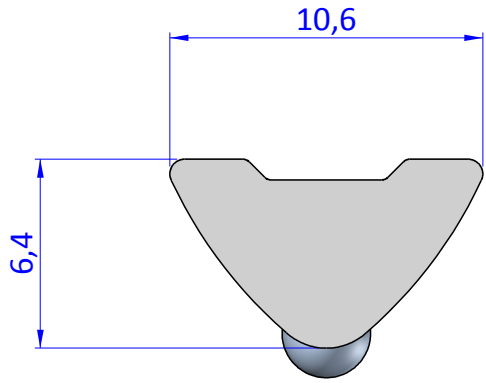
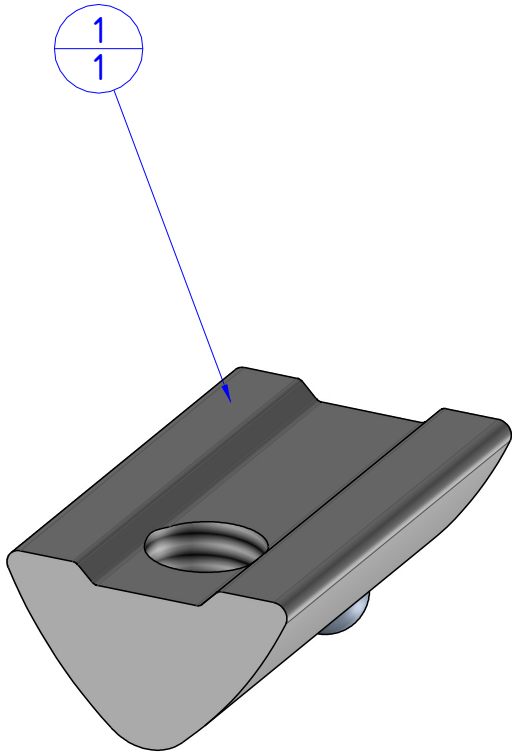
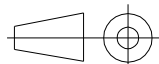


Item	Name	Q.ty
1	02.05.005	1



THE PROPERTY OF THE DRAWING IS ESTABLISHED BY LAW. IT IS FORBIDDEN TO PRODUCE OR SHOW IT TO THIRD PART. WITHOUT A WRITTEN AGREEMENT.

FP SERVICES
AUTOMATION



DESIGNED FROM FPSERVICES		REVIEW A / 4
DATE 16/10/2018	WEIGHT 0,005kg	
CODE CA.02.05.005		

Format **A4**

UNI 936-76

GENERAL TOLERANCE

UNI - ISO 2768

CLASSE f

DESCRIPTION

CA.02.05.005